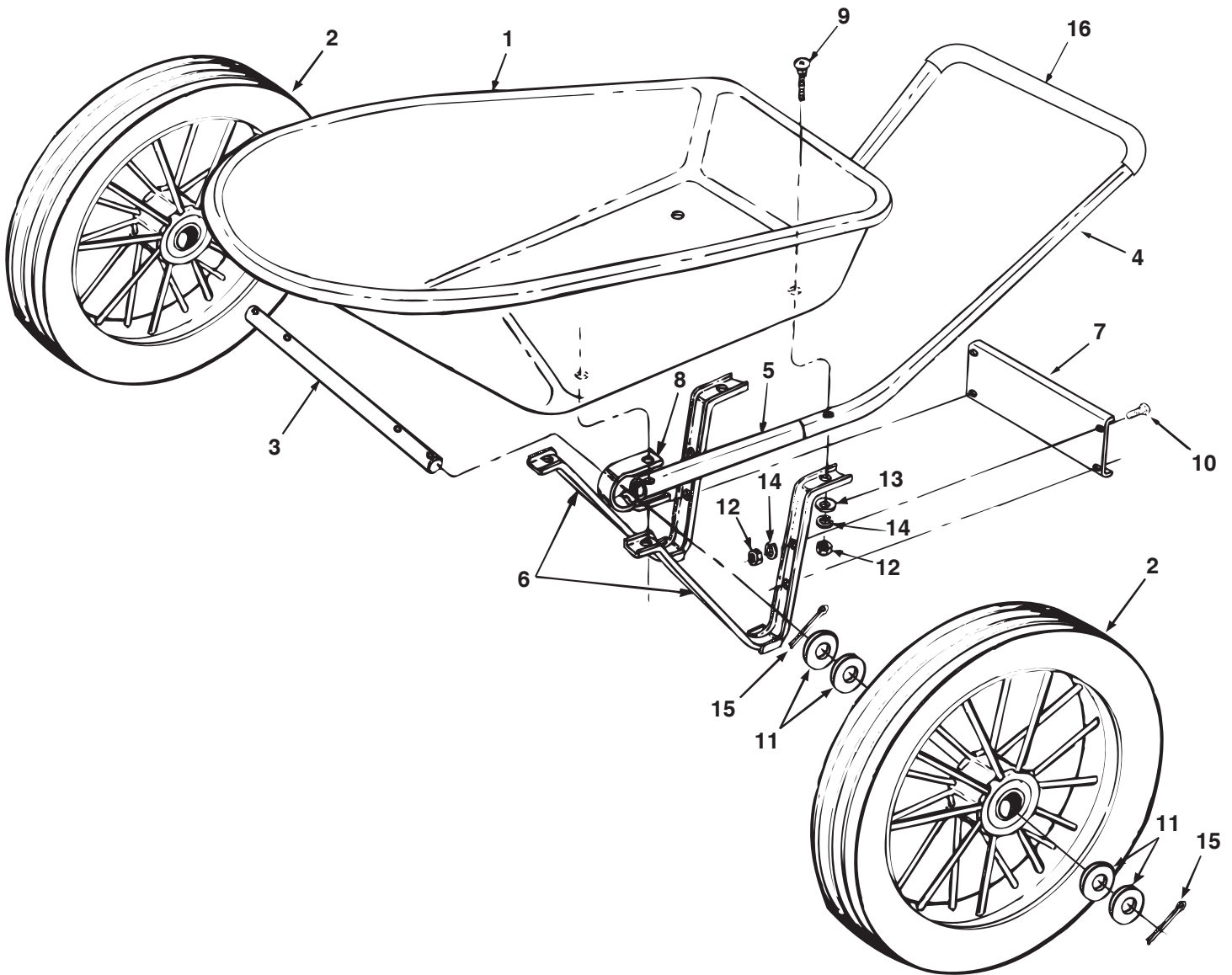


MODELS 45-02263 & 490-900-0014 POLY LAWN CART



REF. NO.	PART NO.	QTY.	DESCRIPTION	REF. NO.	PART NO.	QTY.	DESCRIPTION
1	49694	1	Poly Tray	10	234B5	4	M8X20 Hex Bolt
2	48312	2	Wheel	11	43009	8	Flat Washer, Large
3	24921	1	Axle	12	234B4	8	M8 Hex Nut
4	49692	1	Upper Handle	13	43081	4	Flat Washer, 5/16"
5	49693	2	Handle Extension	14	234B3	8	Lock Washer, 5/16"
6	44192	2	Channel Leg	15	43010	4	Cotter Pin, 1/8" x 1-1/4"
7	813139	1	Leg Brace	16	48836	1	Foam Grip (490-900-0014)
8	23878	2	U-Clamp				
9	49528	4	M8X65 Carriage Bolt				

\*Purchase Common Hardware Locally.